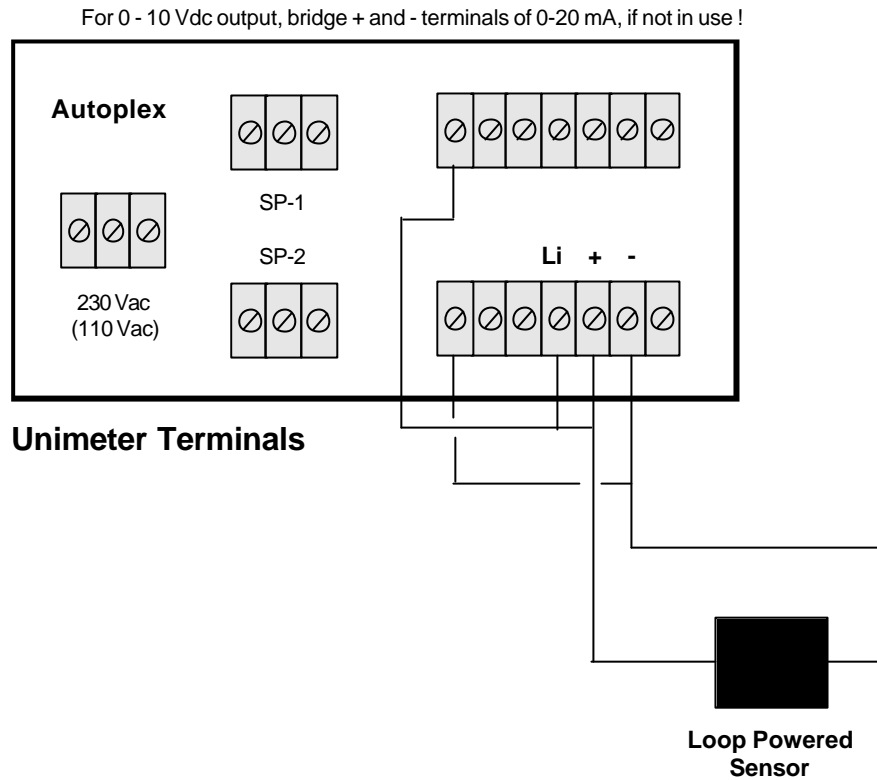


Unimeter - Loop Powered

This paper demonstrates how a sensor is loop powered with the Unimeter XQL.



The concept of loop powering a sensor involves providing power to the sensor and extracting a measurement signal along the same set of wires.

This may be done as illustrated above, where the Programmable Unimeter XQL User Power Supply is used to provide a voltage to the sensor. This allows the sensor to operate which, in turn provides a current value as its measurement. The Unimeter XQL then converts its sensing to one of a current type with the aid of the bridge between Li and Input Plus terminals.

In theory, it is possible to loop power a sensor that provides a voltage measurement signal. This would be configured in the same manner, except that the Li to Input Plus link would be removed.